

Two Wheel Drive End Dump Truck



3002C Truck

Standard Features

- 60,000 lbs. (27,272 kg) Rated Load Capacity
- High Capacity Bowl Design Box Volumned to Material Density
- 10' (3.05 m) OA Width
- Heavy Duty Powertrain
- Option of Caterpillar or Detroit Diesel Engine
- Side Mounted Swing Out Radiator
- CAT Torque Converter with Automatic Lock Up
- CAT Hydraulic Retarder
- CAT Planetary Transmission
- CAT Inboard Planetary Front Axle with Wet Disc Brakes
- Center Hinge Oscillation
- Load Sensing Variable Displacement Hydraulics
- Full Flow Pressure and Return 10 Micron Hydraulic Filters
- Large Side Seated or Forward Facing Operators Compartment
- Optional Climate Controlled Enclosed Cab with Captains Chair



**MINING TECHNOLOGIES
INTERNATIONAL INC.**

Innovative technologies. Unparalleled support.

Performance Specifications

Rated Load Capacity

60,000 lbs.
(27,273 kg.)

Standard Box Capacity

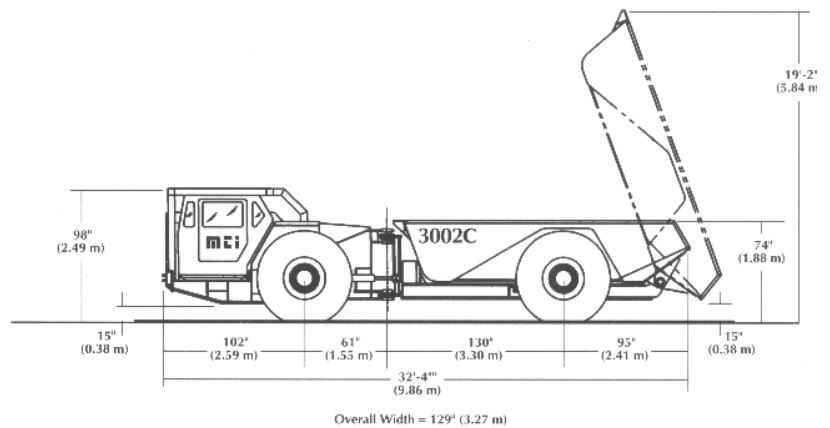
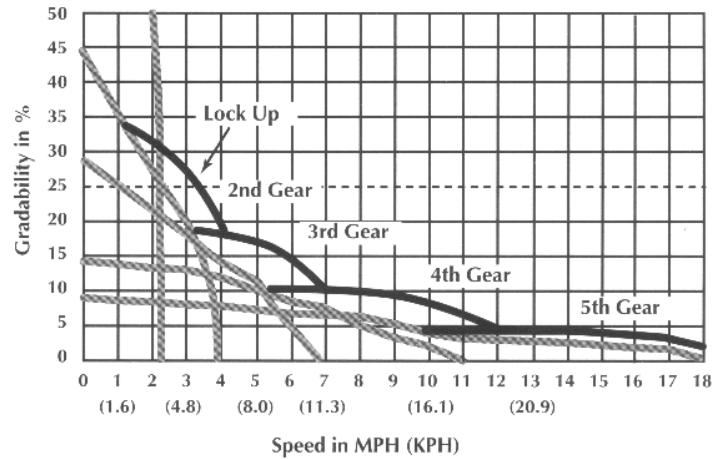
Semi Nominal Heaped
25.4 yd³
(19.5 m³)
Struck
19.2 yd³
(14.8 m³)

Box Dump Height

19'-2"
(5.8 m)

Operating Weight (empty)

62,200 lbs.
(28,272 kg.)



MINING TECHNOLOGIES
INTERNATIONAL INC.

3002C Truck

Head Office:

P.O. Box 2097, Station A
Sudbury, Ontario, Canada
P3A 4R8
145 Magill Street
Lively, Ontario, Canada
P3Y 1K6
Telephone: (705) 692-3661
Fax: (705) 692-4850

Canadian Sales Office:

P.O. Box 2845, Station A
Sudbury, Ontario, Canada
P3A 5J3
25 Fielding Road
Lively, Ontario, Canada
P3y 1L7
Telephone: (705) 682-0623
Fax: (705) 682-4508
Toll free: (Canada & U.S.A.)
1-800-461-4094

U.S. Sales Office:

4955 Bannock Street
Denver, Colorado 80216
Telephone: (303) 892-5800
Fax: (303) 892-1408
Toll free: (Canada & U.S.A.)
1-800-659-4955

International Sales Office:

4955 Bannock Street
Denver, Colorado 80216
Telephone: (303) 892-5800
Fax: (303) 892-2830
Toll free: (Canada & U.S.A.)
1-800-659-4955

South Africa:

P.O. Box 4081
Dalpark 1543, S.A.
25 Soetdoring Str. Dalpark
Brakpan, 1540
Republic of South Africa
Telephone: 27-11-915-2770
Fax: 27-11-915-8330

Australia & South East Asia:

26-42 Cooper Road
Jandakot 6164, W.A.
Australia
Telephone: 61-9-417-8488
Fax: 61-9-417-8747



Authorized Representative

