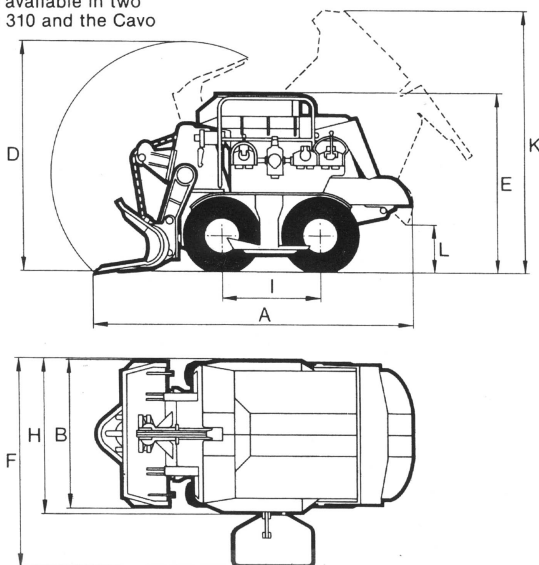


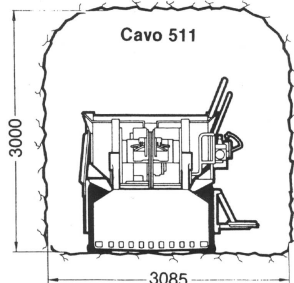
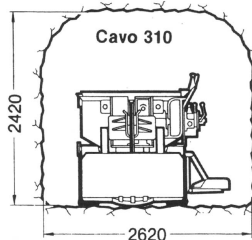
Wheel borne load-and-carry dumpers

Cavo 310 and 511

The load-and-carry dumper is combination loader and transport vehicle. It runs on tyre wheels and is intended to be used mainly in mines. Atlas Copco dumpers are available in two models — the Cavo 310 and the Cavo 511/511L.



Min. tunnel dimensions as per Swedish norms



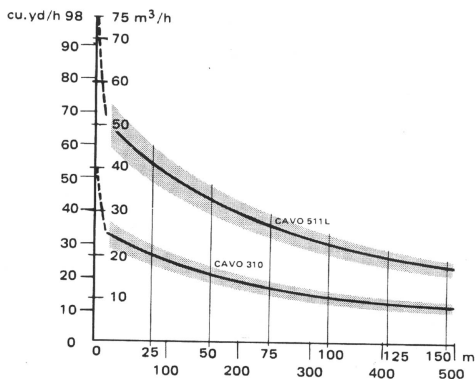
70

Dimensions in mm

Type	A	B	D	E	F
Cavo 310	2920	1270	2120	1630	1930
Cavo 511L	3600	1500	2700	2185	2400
Type	H	I	K	L	
Cavo 310	1440	910	2420	450	
Cavo 511L	1730	1200	2650	400	

Technical data

	Cavo 310	Cavo 511L
Weight	3150 kg	6700 kg
Body capacity	1 m ³	2.1 m ³
Bucket capacity	0.13 m ³	0.5 m ³
Net loading capacity	0.7 m ³ /min	1.3 m ³ /min
Breaking force of bucket lip	8880 N	23300 N
Travel speed	1—1.4 m/s	1 m/s
Traction motor rating at 6 bar	2 × 6.4 kW	2 × 10 kW
Bucket motor rating at 6 bar	7.2 kW	2 × 18.5 kW
Air consumption, average	133 l/s	250 l/s
Air pressure requirement	4—7 bar	5—7 bar
Hose nipple	40 mm	50 mm
Ground clearance loaded appr.	115 mm	207 mm
Ground clearance unloaded approx.	130 mm	230 mm
Remote-control (optional)	REM 31	REM 51



The diagram shows the Cavo autoloader capacity as a function of transport distance. The curves indicate average values and both higher and lower values may be obtained depending on the loading and haulage conditions.