



PNEUMATIC ROCKDRILLS

DIAMOND DRILLS

REPLACEMENT PARTS

# PARTS HEADQUARTERS INC.

1175 Appleby Line, Unit C2, Burlington, Ontario, Canada L7L 5H9 Phone 905-332-3271 Fax 905-332-9497 Email info@partshq.com

## JOY AL60M Jackleg

All internal parts in the JOY AL60M Jacklegs are also used in JOY Stoppers, and JOY Sinker drills.

Drill delivers high penetration, and powerful torque.

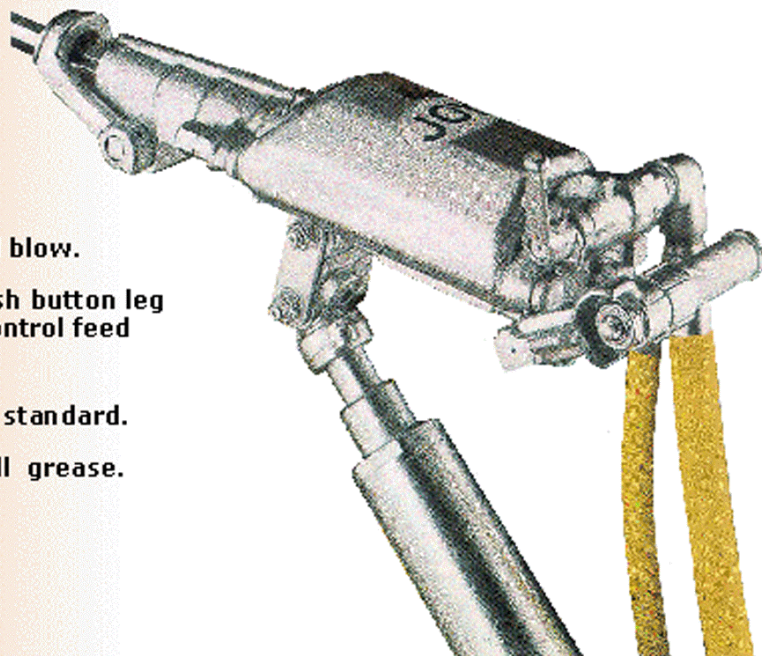
Larger mating faces between major cylinder components for longer life and less wear.

Improved pusher leg is available with a stainless steel piston rod to prevent corrosion and pitting. Positive lubrication with good front end blow.

Convenient operating controls, with push button leg retraction and adjustable motorcycle control feed located on the backhead of the drill

Locking steel retainer for collared steel standard.

Uses rock drill oil or triple zero rock drill grease.



## JOY AL60M Jackleg Drill

*PHQ's reliable AL60M drills are the jackleg drills of choice in the Sudbury Nickel Mines*



ISO 9001:2000

Certificate: 002485  
SIC 5082

[www.partshq.com](http://www.partshq.com)



# JOY AL60M Jackleg Drill

## Features

- Large mating faces on components bodies for less wear and longer life
- Reduced weight for ease of handling.

### JOY AL60M Jackleg Specifications

#### CYLINDER BORE

3 1/8 inches – 79.4mm

#### CYLINDER STROKE

2 1/2 inches – 63.5mm

#### AIR CONSUMPTION

200cfm @90psi – 5.7cu m/m @620kPa

#### BLOWS PER MINUTE

2250bpm @ 90psi – 2250bpm @620kPa

#### SHANK SIZE - Collared

7/8 inch x 4 1/4 inch - 22mm x 108mm

#### LENGTH

Drill 22 inches – 559mm

Leg Retracted 60 inches – 1530mm

Leg Extended 91 inches – 2317mm

#### WEIGHT

Drill 71 lb – 32kg

Leg 30 lb – 14kg

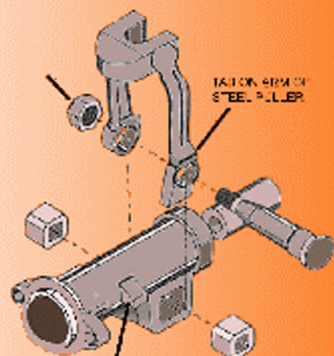
#### JOY AL60 Jackleg configurations:

- JHM Integral steel muffler
- JHS Standard exhaust
- L Complete with Leg

#### AL60JHML

Muffled jackleg collared c/w steel retainer & leg

LOCKING FRONT END



**PHQ carries a full range of parts for JOY AL60M drills in stock.**

**Parts made in Canada to precise specifications using only the highest quality tool steel**

[www.partshq.com](http://www.partshq.com)