

Single Boom Electric & Diesel Hydraulic Jumbo



Scorpion Stinger

Model SCB #420-01

The Scorpion series single-boom hydraulic drill rig can drill vertical, horizontal and angled holes. It features one hydraulic percussion drifter and is designed to work very efficiently in a typical jackleg heading. It can also drive headings 14' x 19'6" (4.27 m x 5.94 m).

Standard Features:

- Kubota D1503-T-TRP-1 liquid-cooled 3-cylinder 43 h.p. turbo diesel engine
- Kubota load sensing transmission/speed limiter
- Brakes enclosed, self-adjusting wet disc (plus driveline brake)
- 50 h.p. (37 kw) electric motor
- 12-volt engine electrics
- HE 322 hydraulic drill (wt. 75 lbs.)
- 12' aluminum feed
- Front and rear levelling jacks

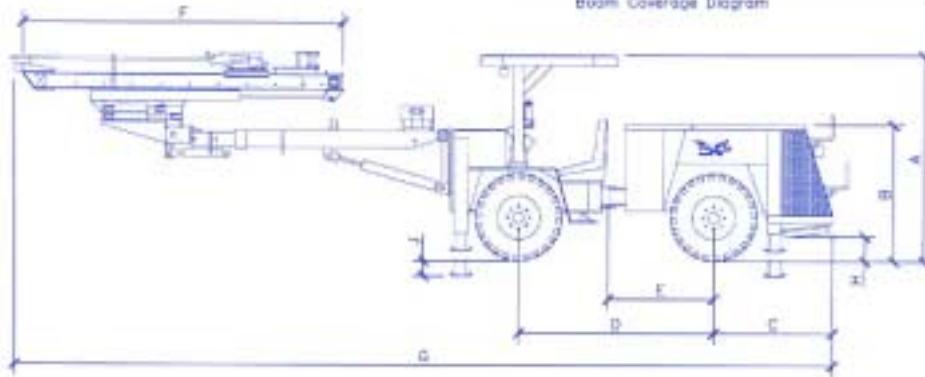
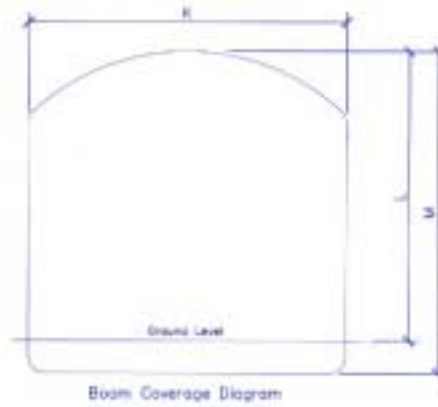


**Collette Mining
& Industrial Services Ltd.**

2925 Mines Avenue
Saskatoon, Saskatchewan S7K 4Z8 Canada
Phone: (306) 683-1966
Fax: (306) 931-1128

Scorpion Electric & Diesel Hydraulic Drill Jumbo Specifications

Weight: 5,145 kg (11,340 lb.)
Gradeability: 20%
Turning Radius: Inside 1.83 m (6 ft. 0 in.)
 Outside 3.30 m (11 ft. 0 in.)
Tire Size: 12.5/70-16
Tramming Speed: 20 km/hr. (12 mph)
Width: 1.52 m (5 ft. 0 in.)



Dimensions	A	B	C	D	E	F	G	H	J	K	L	M
Metric	1.85 m	1.30 m	1.19 m	1.80 m	1.07 m	2.97 m	7.63 m	0.25 m	0.38 m	5.94 m	4.27 m	4.88 m
Imperial	73"	51"	47"	71"	42"	117"	25' 0-1/2"	10"	15"	19' 6"	14' 0"	16' 0"

CMIS Collette Mining & Industrial Services Ltd.

3423 Mission Avenue
 Saskatoon, Saskatchewan S7K 4Z6
 Canada
 Phone: (306) 687-1966
 Fax: (306) 931-1128

42 Timber Lane Box 934
 Ftis Flax, Manitoba R8A 1N7
 Canada
 Phone: (204) 687-4417
 Fax: (204) 687-4447

SCORPION
Manufacturing Ltd.



716 Carter Street
 Kesteven, British Columbia V2H 1G2
 Canada
 Phone: (250) 374-2788
 Fax: (250) 374-6433