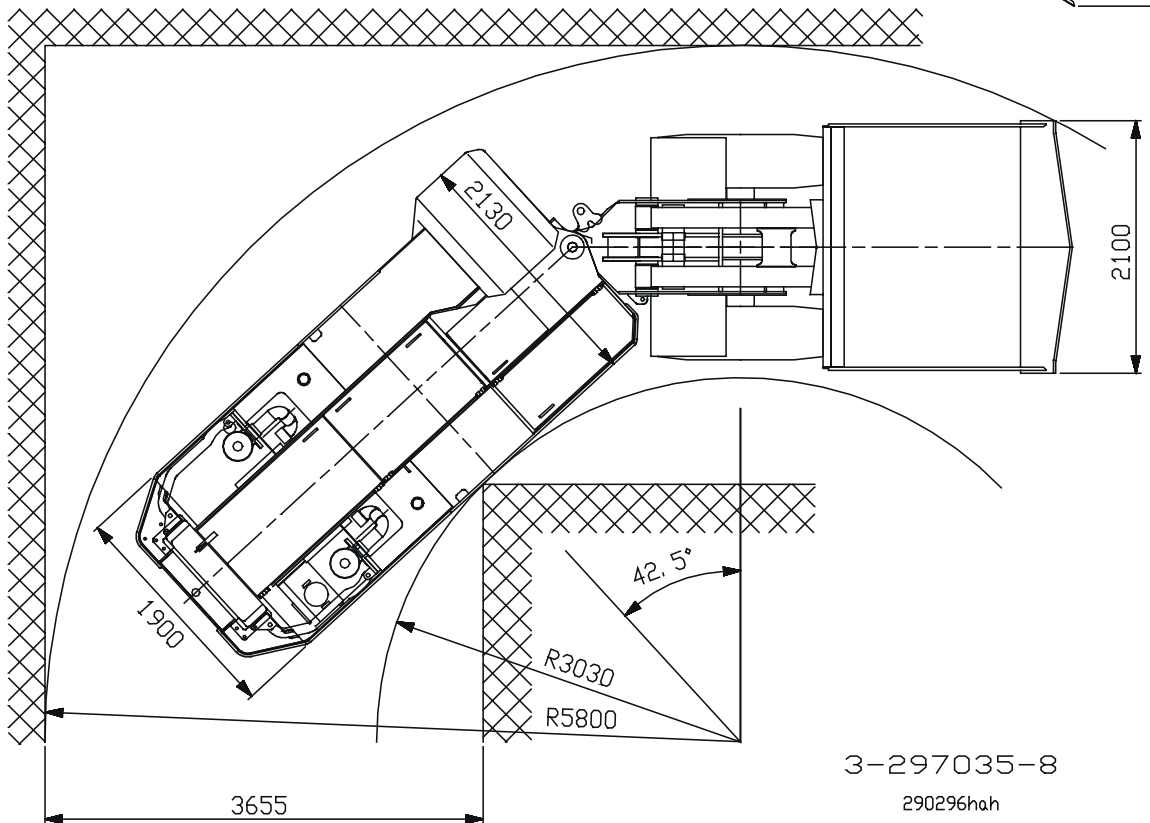
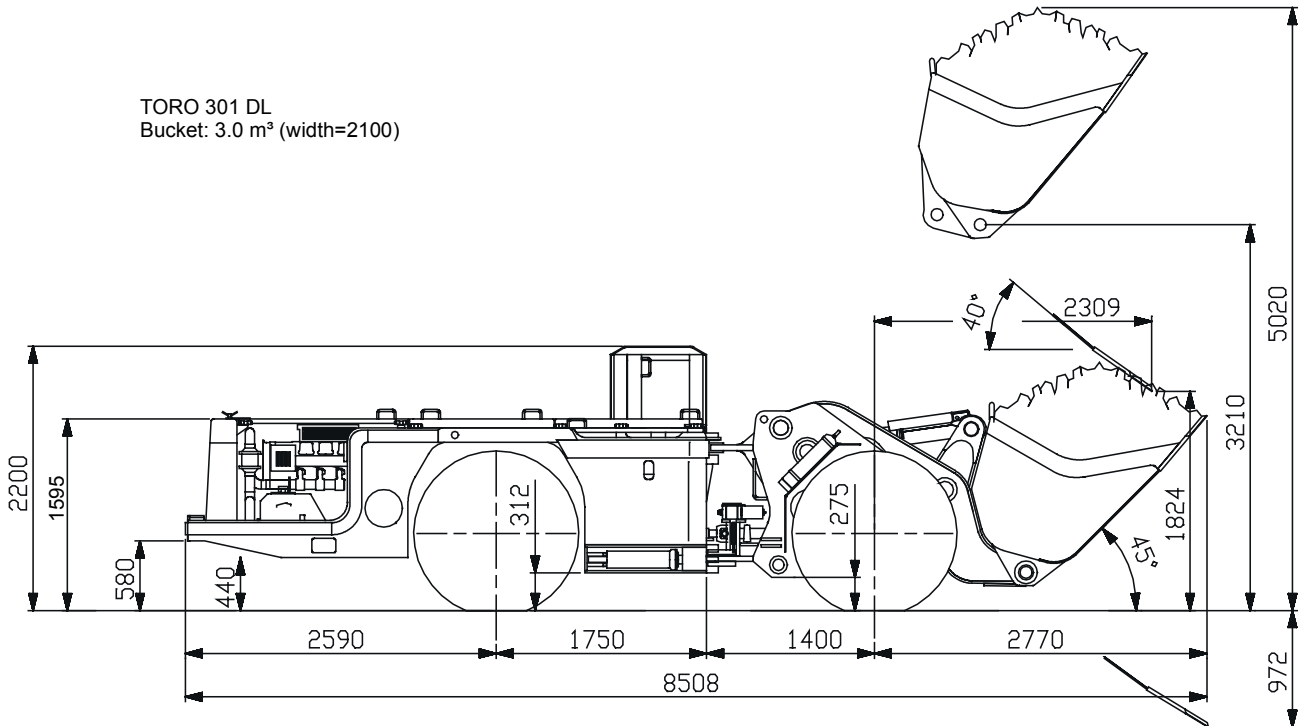


TORO 301 DL
Bucket: 3.0 m³ (width=2100)



Weights

Operating weight	16 600 kg (36 597 lb)
Total loaded weight	22 800 kg (50 266 lb)
Shipping weight	16 400 kg (36 156 lb)

Capacities

Tramming capacity	6200 kg (13 670 lb)
Breakout force, lift	130 kN (13 200 kg) (29 100 lb)
Breakout force, tilt	106 kN (10 900 kg) (24 022 lb)
Tipping load	12 600 kg (27 778 lb)
Bucket std.	3,0 m ³ (3.9yd ³), HB500/400

Bucket motion times

Raising time	6,7 sec.
Lowering time	3,9 sec.
Tipping time	2,0 sec.

Driving speeds forward and reverse

1st gear	5,0 km/h (3.1 mph)
2nd gear	10,0 km/h (6.2 mph)
3rd gear	25,0 km/h (15.5 mph)

Engine

Diesel engine	Deutz F6L 413 FW
Output	102 kW/2300 r/min (139 hp)
Torque	487 Nm 1500 r/min
Number of cylinders	V 6
Displacement	9572 cm ³
Cooling system	Air cooled
Combustion principle	Swirl-chamber, four stroke
Electric system	24V
Air filtering	Donaldson
Exhaust system	Catalytic purifier, muffler and exhaust pipe
Fuel tank capacity	180 l (47 gal.)
Optional engines	DEUTZ F8L413FW, 120 kW. DEUTZ F8L413FWB, 120 kW.

Driveline

Converter	Dana SOH, C 273
Gearbox	Dana SOH, R 28361
Axles, front	Dana SOH, 16D
rear	Dana SOH, 16D, oscillating ± 10°

Tyres

Size and type	17.5x25 L5S, Bridgestone
---------------	--------------------------

Operators compartment

ROPS/FOPS Canopy	Width, 2130mm (84")
Optional ROPS/FOPS safety canopy,	height 2200mm (87").

Lubrication system

Centralized manual lubrication	
Optional automatic central lubrication	

Manuals

3pcs Spare part manual:	
Operation instructions	main European languages
Maintenance instructions	main European languages
Engine spare part information	English
Machine spare part information	English
Workshop manual	
Operation instructions	main European languages
Maintenance instructions	main European languages
Engine workshop manual	Original
Power train components manual	Original
Optional equipment instructions	English

Optional bucket sizes

- Bucket size 2,7 m³ (3.5 yd³), width 1900 mm (75"), HB500/400.
- Bucket size 3,0 m³ (4.0yd³), width 1900 mm (75"), HB500/400.

- HB500/400.
- Bucket size 3,3 m³ (4.3yd³), width 2100 mm (83"), HB500/400.
- Side tipping bucket size 3.0 m³, width 2100 mm (83").
- Ejector bucket, 3.0 m³ (4.0yd³), width 2100 mm (83"), HB500/400.