

Four Wheel Drive End Dump Truck



1604 – 1804 Series Trucks

Standard Features

- 32,000–36,000 lbs. (14,545–16,364 kg) Rated Load Capacity
- 10.8–13.1 yd³ (8.2–10.1 m³) Box Capacity
- 84"–94" (2.13–2.39 m) OA Width
- Heavy Duty Powertrain
- Option of Detroit Diesel or Deutz Engine
- Clark CL323 Lock Up Torque Converter
- Clark 32,000 Series Transmission
- John Deere Inboard Planetary Drive Axles with Wet Disc Brakes
- Center Hinge Oscillation
- High Capacity Bowl Design Box
- Load Sensing Variable Displacement Hydraulics
- Full Flow Pressure and Return 10 Micron Hydraulic Filters
- Large Side Seated Operators Compartment Captains Chair



MINING TECHNOLOGIES
INTERNATIONAL INC.

Innovative technologies. Unparalleled support

Performance Specifications

Rated Load Capacity

1604	32,000 lbs. (14,545 kg.)
1804	36,000 (16,364 kg.)

Standard Box Capacity

Semi Nominal Heaped

1604	10.8 yd ³ (8.2 m ³)
1804	13.1 yd ³ (10.1m ³)

Struck

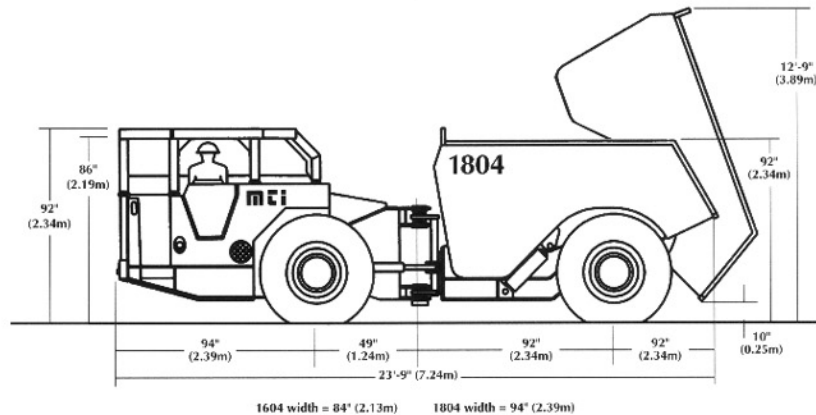
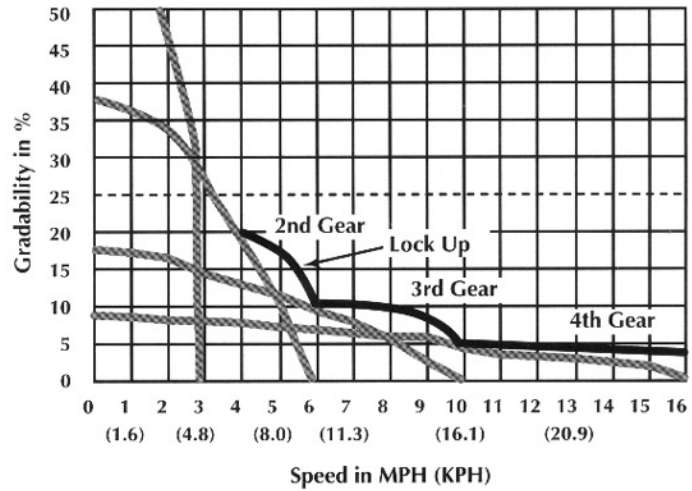
1604	9.6 yd ³ (7.2 m ³)
1804	11.7 yd ³ (9.0 m ³)

Box Dump Height

1604	11'-10" (3.61 m)
1804	12'-9" (3.84 m)

Operating Weight (empty)

1604	28,000 lbs. (12,727 kg.)
1804	30,000 lbs. (13,363 kg.)



**MINING TECHNOLOGIES
INTERNATIONAL INC.**

1604-1804 Series Trucks

Head Office:

P.O. Box 2097, Station A
Sudbury, Ontario, Canada
P3A 4R8
145 Magill Street
Lively, Ontario, Canada
P3Y 1K6
Telephone: (705) 692-3661
Fax: (705) 692-4850

Canadian Sales Office:

P.O. Box 2845, Station A
Sudbury, Ontario, Canada
P3A 5J3
25 Fielding Road
Lively, Ontario, Canada
P3y 1L7
Telephone: (705) 682-0623
Fax: (705) 682-4508
Toll free: (Canada & U.S.A.)
1-800-461-4094

U.S. Sales Office:

4955 Bannock Street
Denver, Colorado 80216
Telephone: (303) 892-5800
Fax: (303) 892-1408
Toll free: (Canada & U.S.A.)
1-800-659-4955

International Sales Office:

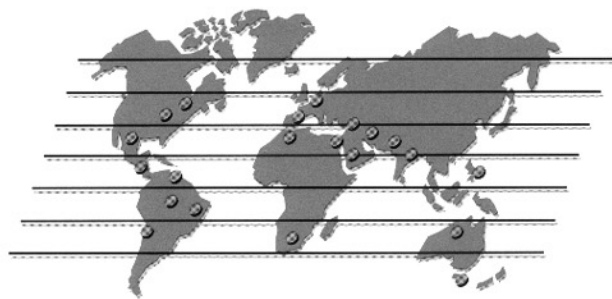
4955 Bannock Street
Denver, Colorado 80216
Telephone: (303) 892-5800
Fax: (303) 892-2830
Toll free: (Canada & U.S.A.)
1-800-659-4955

South Africa:

P.O. Box 4081
Dalpark 1543, S.A.
25 Soetdoring Str. Dalpark
Brakpan, 1540
Republic of South Africa
Telephone: 27-11-915-2770
Fax: 27-11-915-8330

Australia & South East Asia:

26-42 Cooper Road
Jandakot 6164, W.A.
Australia
Telephone: 61-9-417-8488
Fax: 61-9-417-8747



Authorized Representative