

Four Wheel Drive End Dump Truck



2604C–3004C Series Truck

Standard Features

- 52,000–60,000 lbs. (23,636–27,272 kg) Rated Load Capacity
- 18.6–20.7 yd³ (14.2–15.9 m³) Box Capacity
- 110"–116" (2.79–2.95 m) OA Width
- Heavy Duty Powertrain
- Option of Caterpillar or Detroit Diesel Engine
- Side Mounted Swing Out Radiator
- CAT Torque Converter with Automatic Lock Up
- CAT Hydraulic Retarder
- CAT Planetary Transmission
- CAT Inboard Planetary Axles with Wet Disc Brakes
- Center Hinge Oscillation
- High Capacity Bowl Design Box
- Load Sensing Variable Displacement Hydraulics
- Full Flow Pressure and Return 10 Micron Hydraulic Filters
- Large Side Seated Operators Compartment Captains Chair



**MINING TECHNOLOGIES
INTERNATIONAL INC.**

Innovative technologies. Unparalleled support

Performance Specifications

Rated Load Capacity

2604	52,000 lbs. (23,636 kg.)
3004	60,000 lbs. (27,273 kg.)

Standard Box Capacity

Semi Nominal Heaped

2604	18.6 yd ³ (14.2 m ³)
3004	20.7 yd ³ (15.9 m ³)

Struck

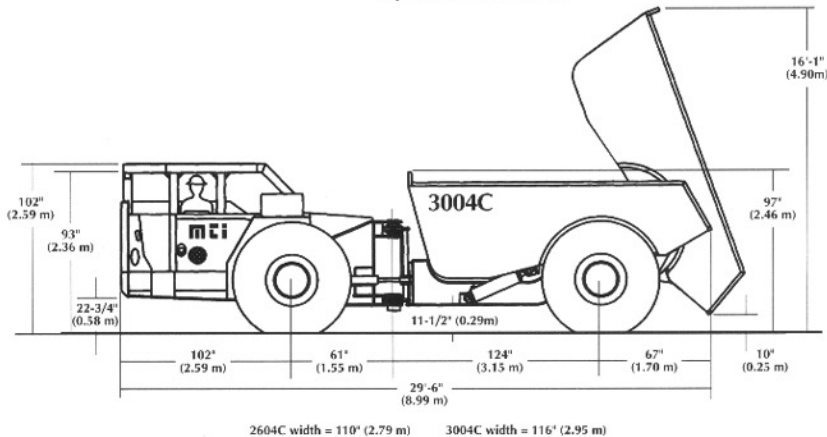
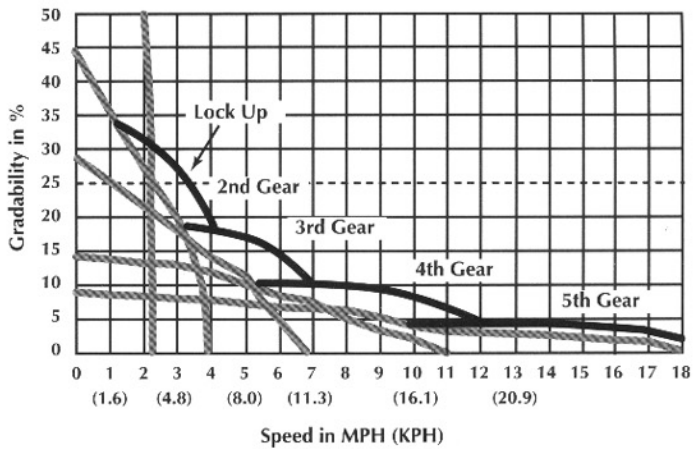
2604	14.9 yd ³ (11.4 m ³)
3004	16.8 yd ³ (12.9 m ³)

Box Dump Height

2604	15'-8" (4.7 m)
3004	16'-1" (4.9 m)

Operating Weight (empty)

2604	52,400 lbs. (23,818 kg.)
3004	55,000 lbs. (25,000 kg.)



**MINING TECHNOLOGIES
INTERNATIONAL INC.**

Head Office:

P.O. Box 2097, Station A
Sudbury, Ontario, Canada
P3A 4R8
145 Magill Street
Lively, Ontario, Canada
P3Y 1K6
Telephone: (705) 692-3661
Fax: (705) 692-4850

Canadian Sales Office:

P.O. Box 2845, Station A
Sudbury, Ontario, Canada
P3A 5J3
25 Fielding Road
Lively, Ontario, Canada
P3y 1L7
Telephone: (705) 682-0623
Fax: (705) 682-4508
Toll free: (Canada & U.S.A.)
1-800-461-4094

U.S. Sales Office:

4955 Bannock Street
Denver, Colorado 80216
Telephone: (303) 892-5800
Fax: (303) 892-1408
Toll free: (Canada & U.S.A.)
1-800-659-4955

International Sales Office:

4955 Bannock Street
Denver, Colorado 80216
Telephone: (303) 892-5800
Fax: (303) 892-2830
Toll free: (Canada & U.S.A.)
1-800-659-4955

South Africa:

P.O. Box 4081
Dalpark 1543, S.A.
25 Soetdoring Str. Dalpark
Brakpan, 1540
Republic of South Africa
Telephone: 27-11-915-2770
Fax: 27-11-915-8330

Australia & South East Asia:

26-42 Cooper Road
Jandakot 6164, W.A.
Australia
Telephone: 61-9-417-8488
Fax: 61-9-417-8747

2604C-3004C Series Trucks



Authorized Representative