

Four Wheel Drive Container Truck



C1504 Container Truck

Standard Features

- 30,000 lbs. (13,636 kg) Rated Load Capacity
- Containers Sized to Material Density
- "J" Hook Pick Up with Patented Dump Mechanism
- 8' (2.43 m) OA Width
- Heavy Duty Powertrain
- Option of Detroit Diesel or Deutz Engine
- Clark CL323 Lock Up Torque Converter
- Clark 32,000 Series Transmission
- John Deere Inboard Planetary Axles with Wet Disc Brakes
- Center Hinge Oscillation
- Load Sensing Variable Displacement Hydraulics
- Full Flow Pressure and Return 10 Micron Hydraulic Filters
- Large Side Seated Operators Compartment Captains Chair



MINING TECHNOLOGIES
INTERNATIONAL INC.

Innovative technologies. Unparalleled support

Performance Specifications

Rated Load Capacity

30,000 lbs.
(13,636 kg.)

Standard Box Capacity

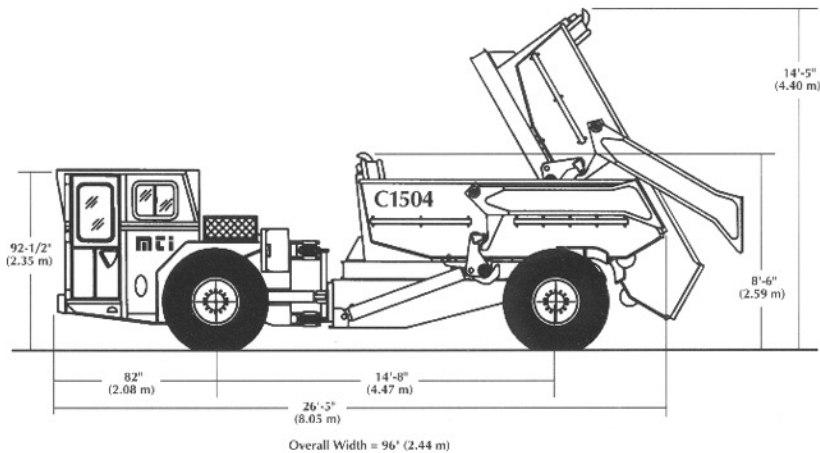
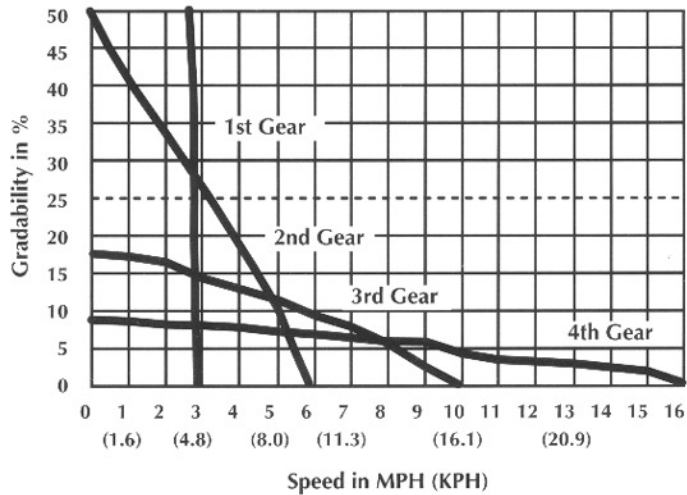
Semi Nominal Heaped
8.9 yd³
(6.8 m³)
Struck
7.5 yd³
(5.7 m³)

Box Dump Height

14'-5"
(4.4 m)

Operating Weight (empty)

40,300 lbs.
(18,318 kg.)



MINING TECHNOLOGIES
INTERNATIONAL INC.

C1504 Container Truck

Head Office:

P.O. Box 2097, Station A
Sudbury, Ontario, Canada
P3A 4R8
145 Magill Street
Lively, Ontario, Canada
P3Y 1K6
Telephone: (705) 692-3661
Fax: (705) 692-4850

Canadian Sales Office:

P.O. Box 2845, Station A
Sudbury, Ontario, Canada
P3A 5J3
25 Fielding Road
Lively, Ontario, Canada
P3y 1L7
Telephone: (705) 682-0623
Fax: (705) 682-4508
Toll free: (Canada & U.S.A.)
1-800-461-4094

U.S. Sales Office:

4955 Bannock Street
Denver, Colorado 80216
Telephone: (303) 892-5800
Fax: (303) 892-1408
Toll free: (Canada & U.S.A.)
1-800-659-4955

International Sales Office:

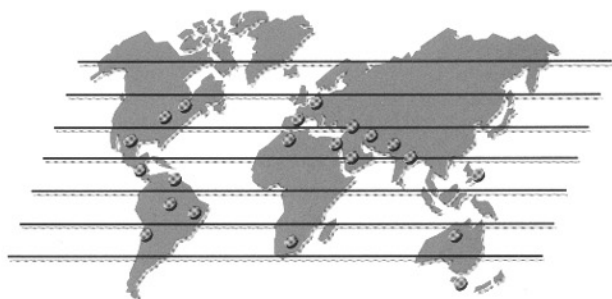
4955 Bannock Street
Denver, Colorado 80216
Telephone: (303) 892-5800
Fax: (303) 892-2830
Toll free: (Canada & U.S.A.)
1-800-659-4955

South Africa:

P.O. Box 4081
Dalpark 1543, S.A.
25 Soetdoring Str. Dalpark
Brakpan, 1540
Republic of South Africa
Telephone: 27-11-915-2770
Fax: 27-11-915-8330

Australia & South East Asia:

26-42 Cooper Road
Jandakot 6164, W.A.
Australia
Telephone: 61-9-417-8488
Fax: 61-9-417-8747



Authorized Representative